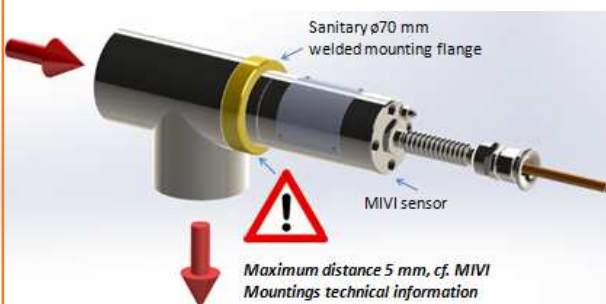


## SANITARY MOUNTING FLANGE KIT

*To be welded*



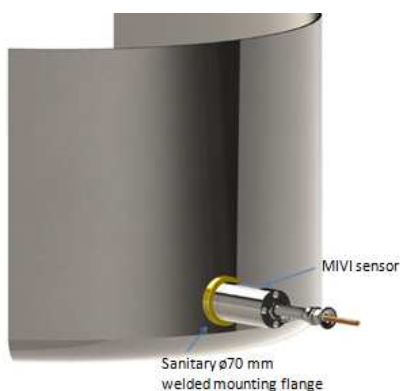
### Pipe angle mounting – Recommended Sofraser mounting



### THE RECOMMENDED SOFRASER MOUNTING FOR ON PIPE OR ON REACTOR INSTALLATIONS

Sofraser's proprietary sanitary 316L SS mounting flange is the most suitable mounting covering the vast majority of industrial installations. It can be welded either on pipe angles or on reactor walls. It is easy to install and available in many versions: standard, high temperature, high pressure, special materials and specific sizes according to your requirements. Its robustness allows perfect MIVI viscometer mounting to optimize the fluid measurement conditions and your installation configuration.

### On reactor wall mounting



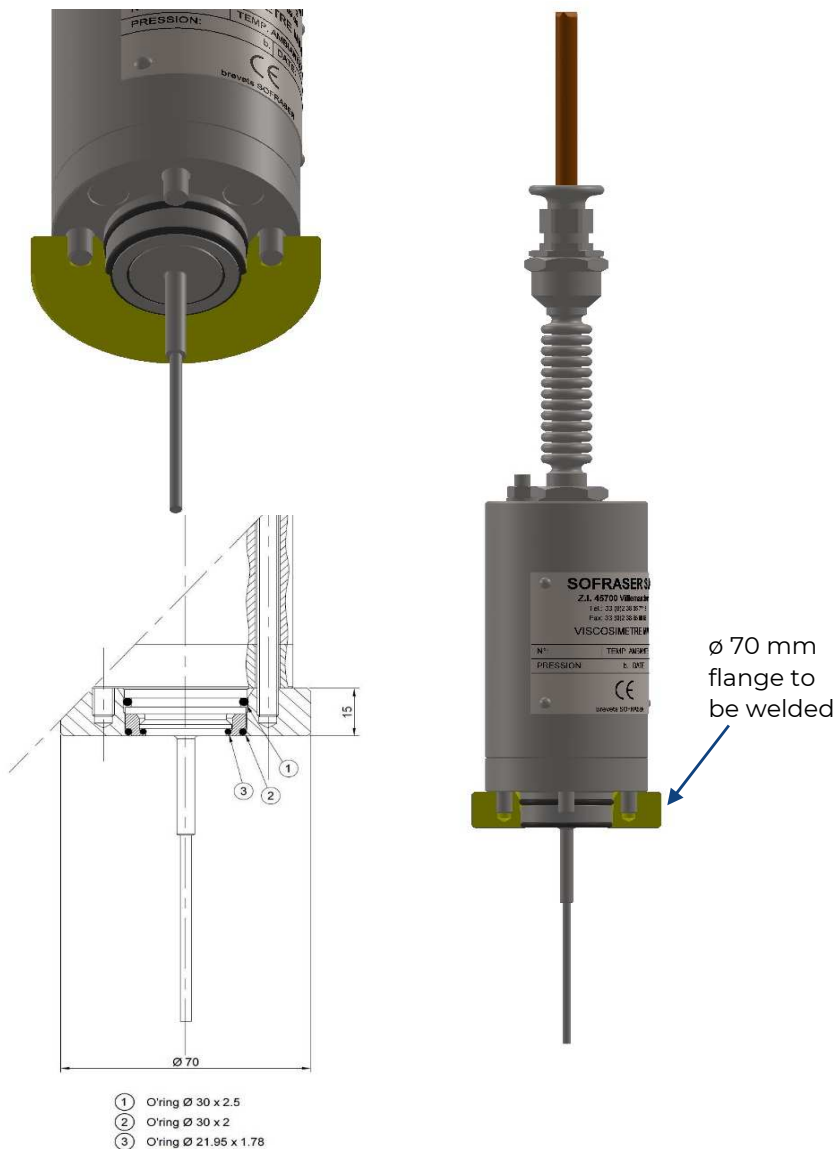
- **Included in the sanitary mounting flange kit for MIVI sensor:**
  - 1 x flange to be welded - External diameter: 70 mm / 2<sup>3/4</sup>" (larger on request)
  - 3 x O-rings (Viton®, PTFE or others on request)
  - 1 x ring, to be screwed if no Flow Damper is installed
  - 1 x cap (allows pre-mounting before sensor installation. Also needed when removing the sensor)
  - 4 x screws M6x20, to hold the cap

Whatever your industry, we understand and develop solutions for many applications. For a personalized approach, contact us at [instruments@sofraser.com](mailto:instruments@sofraser.com)

## SANITARY MOUNTING FLANGE KIT FOR MIVI SENSOR

### SOFRASER SANITARY 316L SS MOUNTING FLANGE MODELS

3.AM002	For sanitary MIVI with VITON O-Rings, cap, ring and screws (external diameter = 70 mm)
3.AM022	For sanitary MIVI with PTFE O-Rings, cap, ring and screws (external diameter = 70 mm)
	<b>Special designs (consult us)</b>
3.AM052	Other alloy (316Ti, Hastelloy®, SMO, Uranus...)
	Other external diameter (consult us) High pressure models
3.AM067	Set of 3 x EPDM O-rings with FDA certificate
	Other materials (consult us)



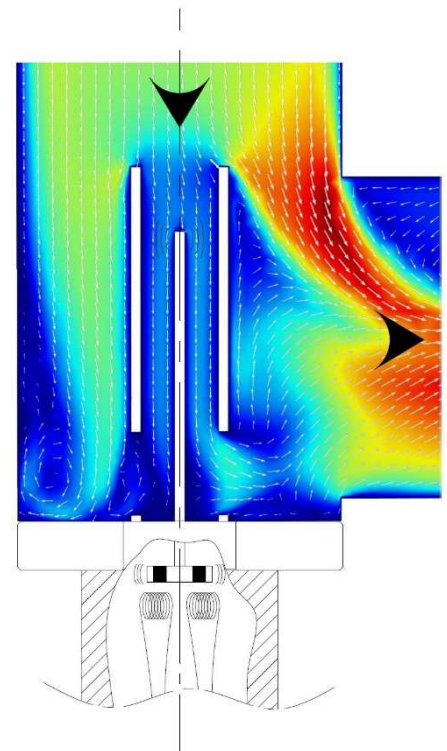
In 1981, Sofraser invented & patented the world's first vibrating viscometer at resonance frequency also called tuning-type.

The vibration amplitude varies according to the viscosity of the product in which the rod is immersed.

The active part of the sensor, a vibrating rod held in oscillation at resonance frequency, is driven by constant electrical power.

With its exclusive Flow Damper technology that acts like an embedded Flow cell, the measurements stays stable in any conditions.

Sofraser remains unsurpassed regarding process reliability and accuracy.



CE

